

Nistar 3000 Wedgemeter

FEATURES:

- Suitable for pipes from:
1/2" to 4" (DN: 15-100)
- Available with Integral Transmitter Mount
- Mass Flow Measurement with dynamic process compensation of pressure and temperature using Multivariable DP transmitter and integral RTD
- End connections:
 - Flanged ANSI Class 150# to 1500#
 - Ring Type Joint (RTJ); typically 600# rating and higher
- Flow tests traceable to NIST are available and when performed within the Reynolds Number range of the process allow for accuracies of +/-0.5%
- Repeatability of the flow measurement is +/- 0.25%
- Stable geometry under difficult process conditions reduces the need to calibrate secondary electronics or inspect the primary
- Design Standards based on Kent Taylor, R.W. Miller, ASME B31.1 and B31.3
- Standard Materials: CS, 316SS, 304SS. Other material available on request.
MTR's and NACE certificates also available.

id Flow NISTAR Model 3000 Wedgemeter Description

NISTAR Model 3000	
NISTAR 3000	IDFWN3

#2 Line Size	
0.5	005
0.75	075
1	010
1.5	015
2	020
2.5	025
3	030
4	040

IDFWN3-020-316-2.067-316-150RF-NPT12

IDFWN3	020	316	2.067	316	150RF	NPT12
#1	#2	#3	#4	#5	#6	#7

#3 Pipe Material	
316SS	316
304SS	304

#4 Meter ID / SCH			
Carbon Steel	WCB	ID	value

Hastelloy	HST	SCH 10	010
Other		SCH 10S	010S
		SCH 40	040
		SCH 40S	040S
		SCH 80	080
		SCH 80S	080S
		Standard	STD
		X-Strong	XS

#5 Wedge Material	
316SS	316
304SS	304
Carbon Steel	WCB
Hastelloy	HST
Other	

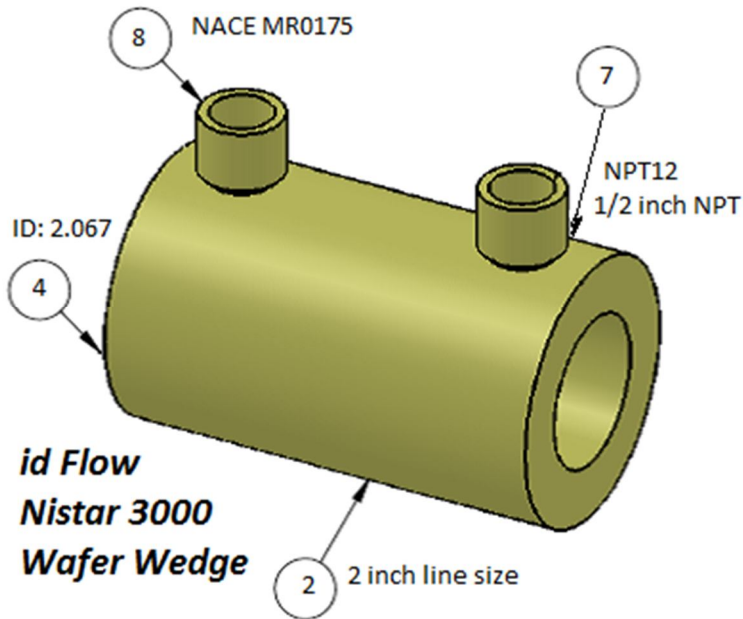
#6 Process Connection

ANSI 150 RF	150 RF
ANSI 300 RF	300 RF
ANSI 600 RF	600 RF
ANSI 900 RF	900 RF
ANSI 1500 RF	1500 RF
ANSI 150 RTJ	150 RTJ
ANSI 300 RTJ	300 RTJ
ANSI 600 RTJ	600 RTJ
ANSI 600 RTJ	600 RTJ
ANSI 900 RTJ	900 RTJ
ANSI 1500 RTJ	1500 RTJ

#7 Instrument Connections

1/4 inch NPT	NPT14
1/2 inch NPT	NPT12
3/4 inch NPT	NPT34
3/8 inch NPT	NPT38
Socket weld 1/2	SO12
Socket weld 3/4	SO34

#8 Options



Additional options include calculation, sizing, Material Traceability Certificate, NACE, Canadian Registration, drawing, specified inspection and testing, integral manifold, pressure transmitter etcetera.